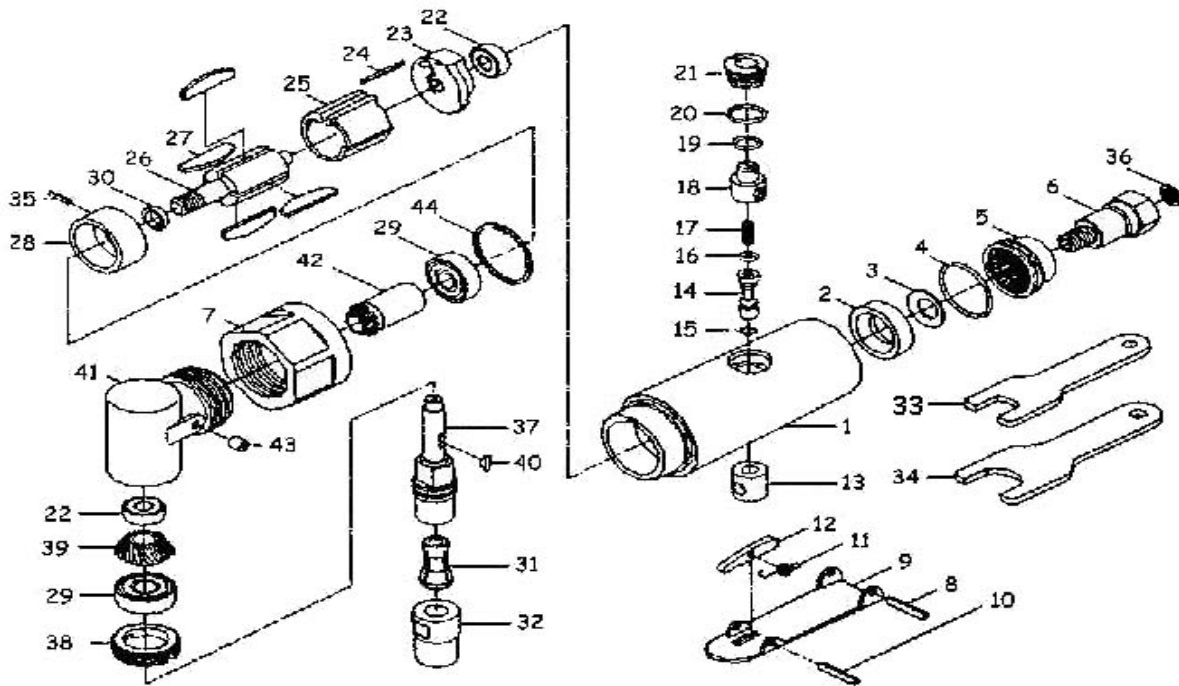


Heavy Duty Stabschleifer - Die grinder - Stiftslijpers - Meuleuses - 6 mm - 25.000 rpm



ITEM NO.	REF. NO.	DESCRIPTION	
1	EI0001	MOTOR HOUSING	
2	EI0002	SILENCER	
3	EI0003	WASHER	
4	EI0004	O-RING	
5	EI0005	DEFLECTOR	
6	EI0006	AIR INLET	
7	EI0007	HOUSING LOCK RING	
8	EI0008	LEVER PIN	
9	EI0009	THROTTLE LEVER	
10	EI0010	SPRING PIN	
11	EI0011	SPRING	
12	EI0012	STOP ROD	
13	EI0013	VALVE BUSHING	
14	EI0014	VALVE STEM	
15	EI0015	O-RING	
16	EI0016	O-RING	
17	EI0017	SPRING	
18	EI0018	REGULATOR	
19	EI0019	O-RING	
20	EI0020	O-RING	
21	EI0021	VALVE SCREW	
22	EI0022	BALL BEARING (2)	

ITEM NO.	REF. NO.	DESCRIPTION	
23	EI0023	REAR END PLATE	
24	EI0024	CYLINDER PIN	
25	EI0025	CYLINDER	
26	EI0026	ROTOR	
27	EI0027	ROTOR BLADE (4)	
28	EI0028	FRONT END PLATE	
29	EI0029	BALL BEARING (2)	
30	EI0030	ROTOR SPACER	
31	EI0031	COLLET	
32	EI0032	COLLET NUT	
33	EI0033	SPANNER WRENCH (11mm)	
34	EI0034	SPANNER WRENCH (17mm)	
35	EI0035	PIN	
36	EI0036	FILTER	
37	EI0037	SPINDLE	
38	EI0038	CLAMP NUT	
39	EI0039	BEVEL GEAR	
40	EI0040	KEY	
41	EI0041	ANGLE HEAD HOUSING	
42	EI0042	PINION	
43	EI0043	GREASE FITTING	
44	EI0044	COLLAR	