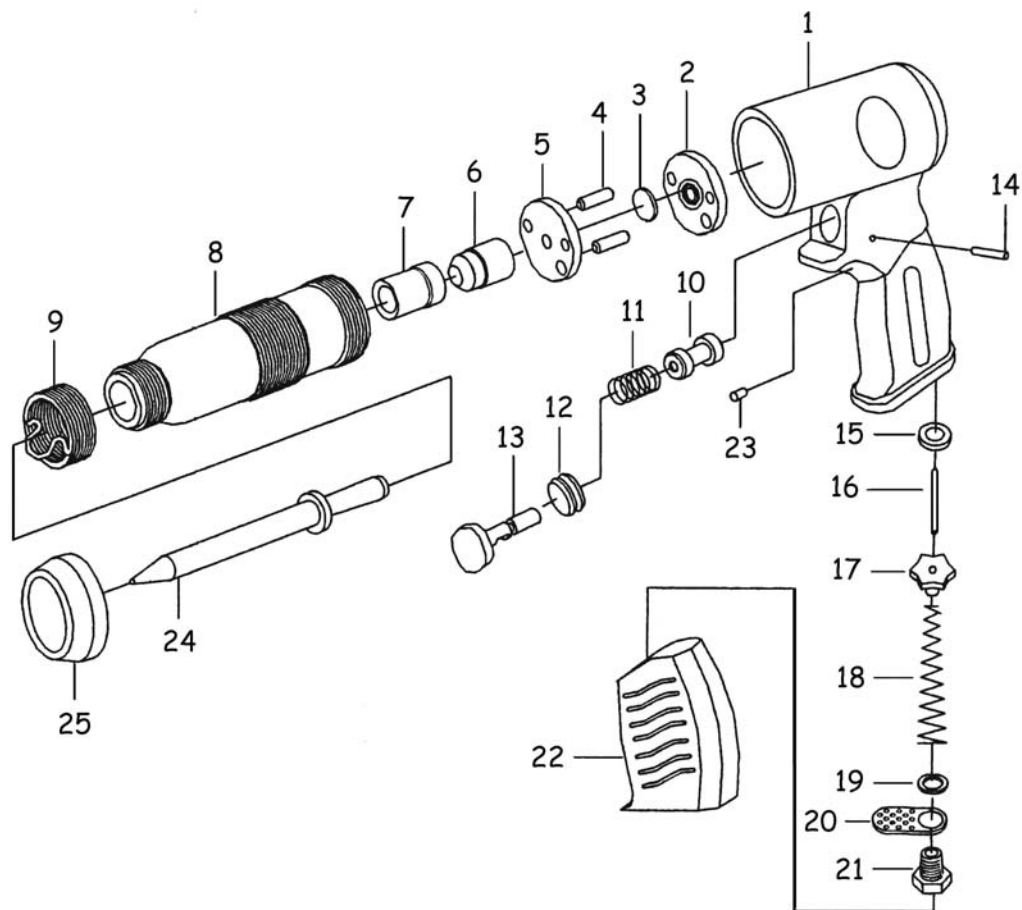


Hammer - Meisselhammer - hakhamer - Burineurs - Scalpelli ad Aria



ITEM NO.	DESCRIPTION
1	HOUSING
2	END PLATE
3	STEEL VALVE
4	SET PIN
5	FRONT PLATE
6	PISTON
7	STEEL SLEEVE
8	CYLINDER
9	RETAINER
10	TRIGGER SLEEVE
11	SPRING
12	SLEEVE
13	O-RING
14	TRIGGER

ITEM NO.	DESCRIPTION
15	SET PIN
16	OIL SEAL
17	SET PIN
18	PIN COVER
19	SPRING
20	SPACER
21	INLET CAP
22	AIR INLET
23	HANDLE COVER
24	PLUG
25	CHISEL (4)
26	FRONT COVER
27	WASHER