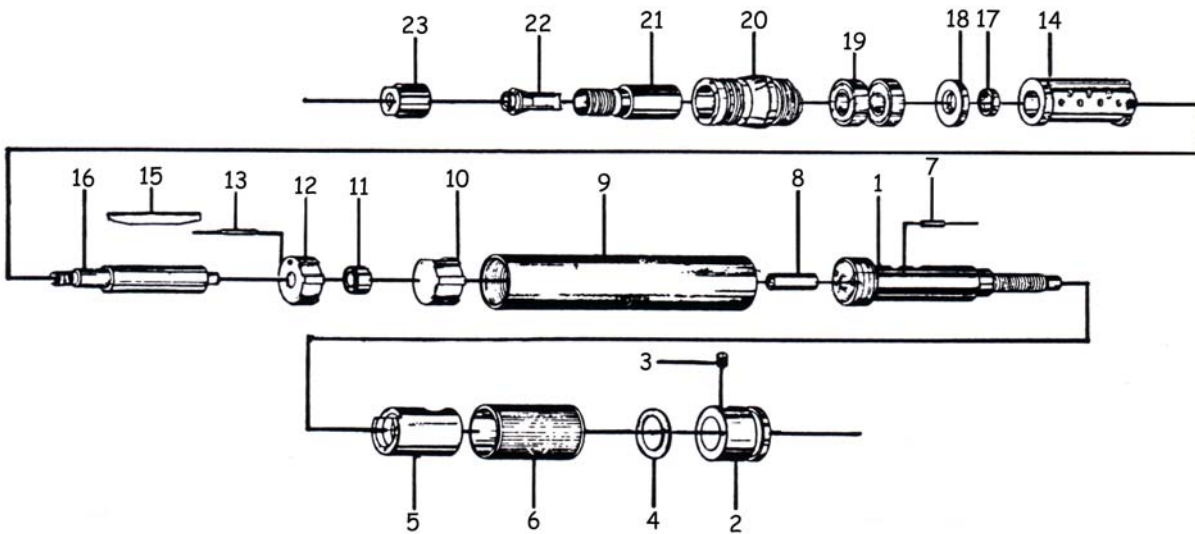


Heavy Duty Micro die grinder - Micro Stabschleifer - Micro Stiftslijpers - Micro Meuleuses



ITEM NO.	REF. NO.	DESCRIPTION	
1	AQ0001	HOSE PLUG	
2	AQ0002	REAR END HOLDER	
3	AQ0003	SCREW	
4	AQ0004	O-RING (2)	
5	AQ0005	O-RING	
6	AQ0006	SLIDING KNOB	
7	AQ0007	PIN	
8	AQ0008	INTAKE STEEL TUBE	
9	AQ0009	SLEEVE	
10	AQ0010	INTAKE PLATE	
11	AQ0011	BALL BEARING	
12	AQ0012	BEARING PLATE	

ITEM NO.	REF. NO.	DESCRIPTION	
13	AQ0013	PIN	
14	AQ0014	CYLINDER	
15	AQ0015	FIBRE VANES (3)	
16	AQ0016	ROTOR	
17	AQ0017	LATERAL DISC	
18	AQ0018	SPACER	
19	AQ0019	BALL BEARING (2)	
20	AQ0020	COLLET FOUNDATION	
21	AQ0021	FRONT COVER	
22	AQ0022	COLLET	
23	AQ0023	CLAMPING NUT	
		HOSE ASSY	