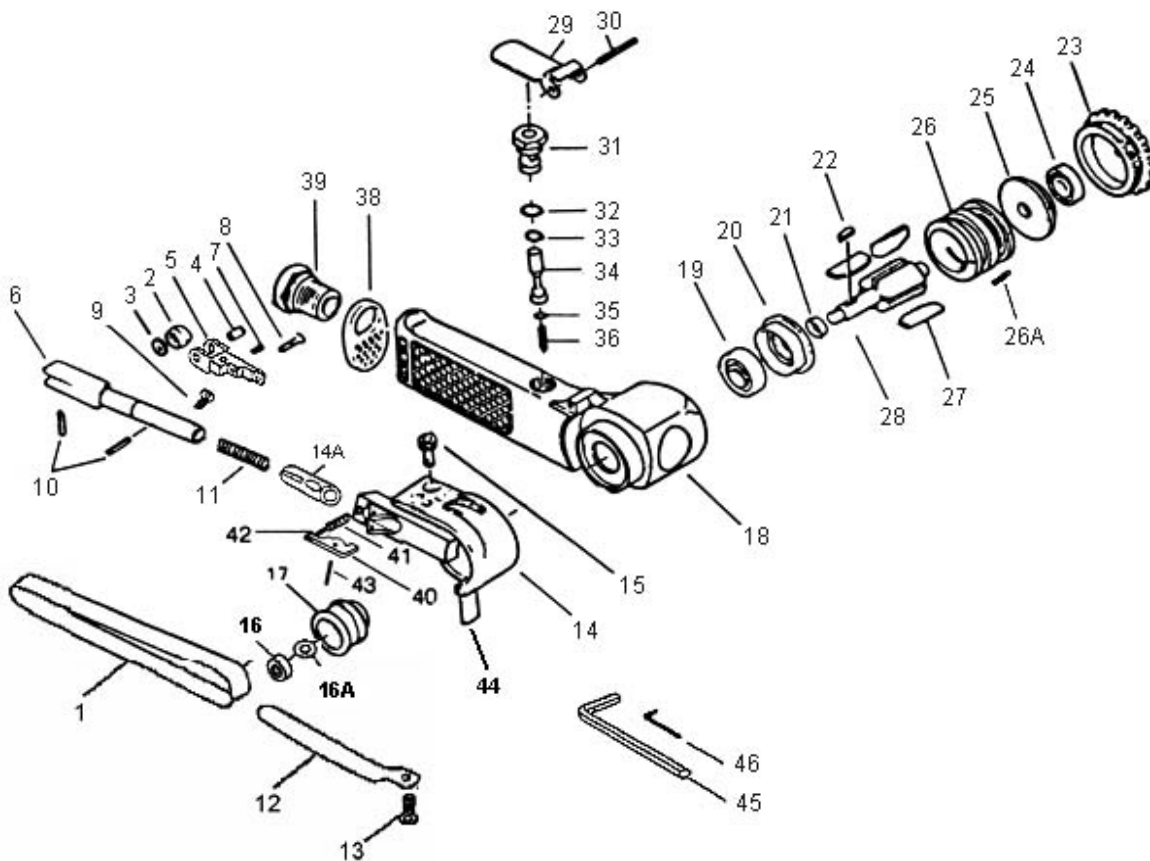


Belt sander



ITEM NO.	REF. NO.	DESCRIPTION
1	BJ0001	GRINDING BELT (#100)
1A	BJ0002	GRINDING BELT (#80)
1B	BJ0003	GRINDING BELT (#120)
2	BJ0004	IDLE PUILEY 10 SUB ASSY (2A.2B)
2A	BJ0005	IDLE PUILEY 10 SUB ASSY
2B	BJ0006	BALL BEARING 628ZZ (2)
3	BJ0008	WASHER
4	BJ0009	IDLE PUILEY SCREW
5	BJ0010	BRACKET 10
6	BJ0011	TENSION BAR 10
7	BJ0012	HEXAGON SOCKET HEADLESS SET SCREW 3X10
8	BJ0013	CROSS-RECESSED FLAT HEAD MACHINE SCREW 3X6
9	BJ0014	SPRING
10	BJ0015	SPRING (2)
11	BJ0016	SPRING
12	BJ0017	SHOE 10
13	BJ0018	CROSS-RECESSED PAN HEAD MACHINE SCREW 4X8
14	BJ0019	GUARD SUB ASSY A
14A	BJ0020	GUARD BUSHING
15	BJ0021	HEXAGON SOCKET HEAD BOLT 5X12
16	BJ0022	HEXAGON PULLEY
16A	BJ0023	WASHER
17	BJ0024	DRIVE PULLEY
18	BJ0025	HOUSING
19	BJ0026	BALL BEARING 628ZZ
20	BJ0027	END PLATE B

ITEM NO.	REF. NO.	DESCRIPTION
21	BJ0028	SPACER 8X11X3
22	BJ0029	SUNK KEY 3X3X10
23	BJ0030	CAP
24	BJ0031	BALL BEARING 607ZZ
25	BJ0032	END PLATE A
26	BJ0033	CYLINDER
26A	BJ0033A	PIN (?3x6)
27	BJ0034	BLADE ASSY (5pcs/set)
28	BJ0035	ROTOR
29	BJ0036	THROTTLE LEVER
30	BJ0037	LEVER PIN
31	BJ0038	VALVE BODY
33	BJ0039	O-RING
34	BJ0040	O-RING
35	BJ0041	VALVE STEM
36	BJ0042	O-RING
37	BJ0043	VALVE SPRING
38	BJ0044	DEFRECTOR
39	BJ0045	AIR INLET
40	BJ0046	TENSION BAR
41	BJ0047	SPRING
42	BJ0048	LEVER PIN (M2x6)
43	BJ0049	LEVER PIN (M2.5x10)
44	BJ0050	DUST COVER
45	BJ0051	HEXAGON WRENCH KEY 4
46	BJ0052	HEXAGON WRENCH KEY 1.5