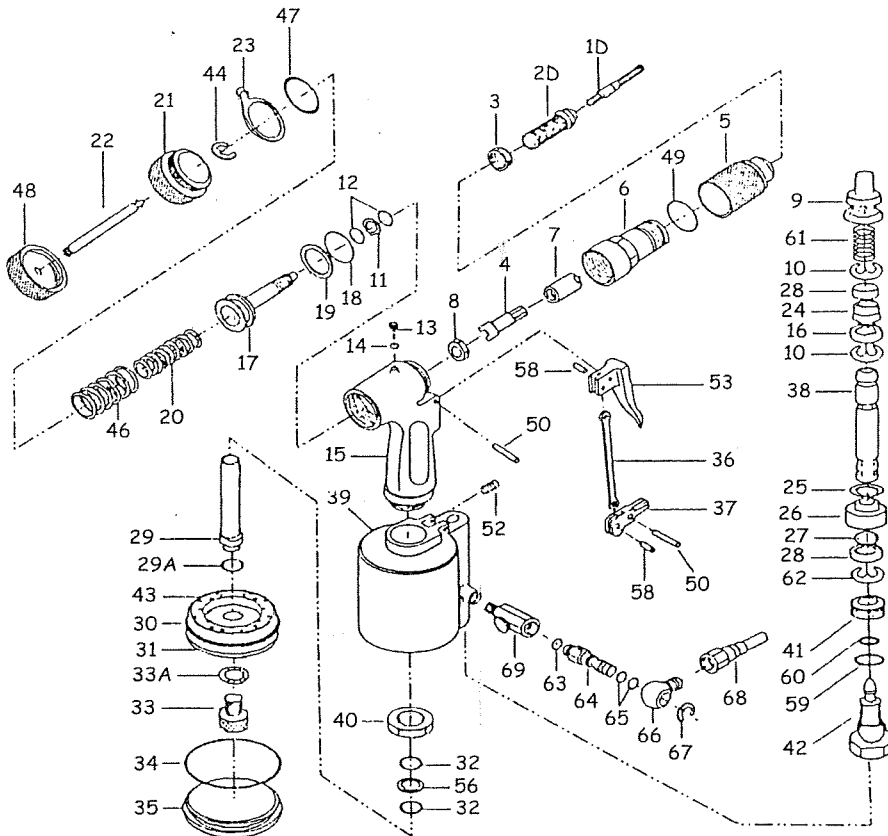


Riveter - Blindnietgerät



ITEM NO.	REF. NO.	DESCRIPTION
1B	AL0002	SCREW MANDREL M4
1C	AL0003	SCREW MANDREL M5
1D	AL0004	SCREW MANDREL M6
1E	AL0005	SCREW MANDREL M8
1F	AL0006	SCREW MANDREL M10
2B	AL0008	STROKE SET ADAPTOR M4
2C	AL0009	STROKE SET ADAPTOR M5
2D	AL0010	STROKE SET ADAPTOR M6
2E	AL0011	STROKE SET ADAPTOR M8
2F	AL0012	STROKE SET ADAPTOR M10
3	AL0013	NOSE NUT
4	AL0014	SPINDLE GUIDE
5	AL0015	STROKE ADAPTOR COVER
6	AL0016	CONNECTOR HOUSING
7	AL0017	SPINDLE CASE
8	AL0018	SPINDLE CASE NUT
9	AL0019	VALVE PUSHER
10	AL0020	E-RING (2)
11	AL0021	BACK UP RING
12	AL0022	O-RING (2)
13	AL0023	AIR BLOW PLUG
14	AL0024	PACKING SEAL
15	AL0025	FRAME
16	AL0026	COLLAR FOR VALVE TUBE
17	AL0027	OIL PISTON
18	AL0028	O-RING
19	AL0029	BACK UP RING
20	AL0030	RETURN SPRING (SMALL)
21	AL0031	FRAME CAP
22	AL0032	RETURN TUBE
23	AL0033	HANGER CLIP
24	AL0034	AIR VALVE SEAL
25	AL0035	O-RING
26	AL0036	VALVE SEAT
27	AL0037	O-RING
28	AL0038	VALVE COLLAR WASHER (2)
29	AL0039	AIR PISTON ROD
29A	AL0040	O-RING

ITEM NO.	REF. NO.	DESCRIPTION
30	AL0041	O-RING
31	AL0042	AIR PISTON
32	AL0043	O-RING (2)
33	AL0044	LOCK NUT
33A	AL0045	WASHER
34	AL0046	O-RING
35	AL0047	CYLINDER CAP
36	AL0048	TRIGGER ROD
37	AL0049	TRIGGER LIVER
38	AL0050	VALVE TUBE
39	AL0051	AIR CYLINDER
40	AL0052	FRAME LOCK NUT
41	AL0053	NIPPLE SCREW
42	AL0054	END PLUG
43	AL0055	RUBBER CUSHION
44	AL0056	E-RING
46	AL0057	RETURN SPRING (BIG)
47	AL0058	FRAME CAP RING
48	AL0059	SAFETY CAP NUT
49	AL0060	O-RING
50	AL0061	PIN (2)
51	AL0062	LEVER PIN
52	AL0063	LOCK SCREW
53	AL0064	TRIGGER
54	AL0065	SPANNER GAUGE
55	AL0066	SPANNER GAUGE
56	AL0067	BACK UP RING
57	AL0068	HEX WRENCH
58	AL0069	TRIGGER PIN (2)
59	AL0070	O-RING
60	AL0071	SEAL
61	AL0072	PUSHER SPRING
62	AL0073	E-RING
OPTIONAL ACCESSORIES		
1A	AL0001	SCREW MANDREL M3
2A	AL0007	STROKE SET ADAPTOR M3
63-68	AL0074	YS-0046A AIR HOSE JOINT
69	AL0075	REGULATOR M3 AND M4