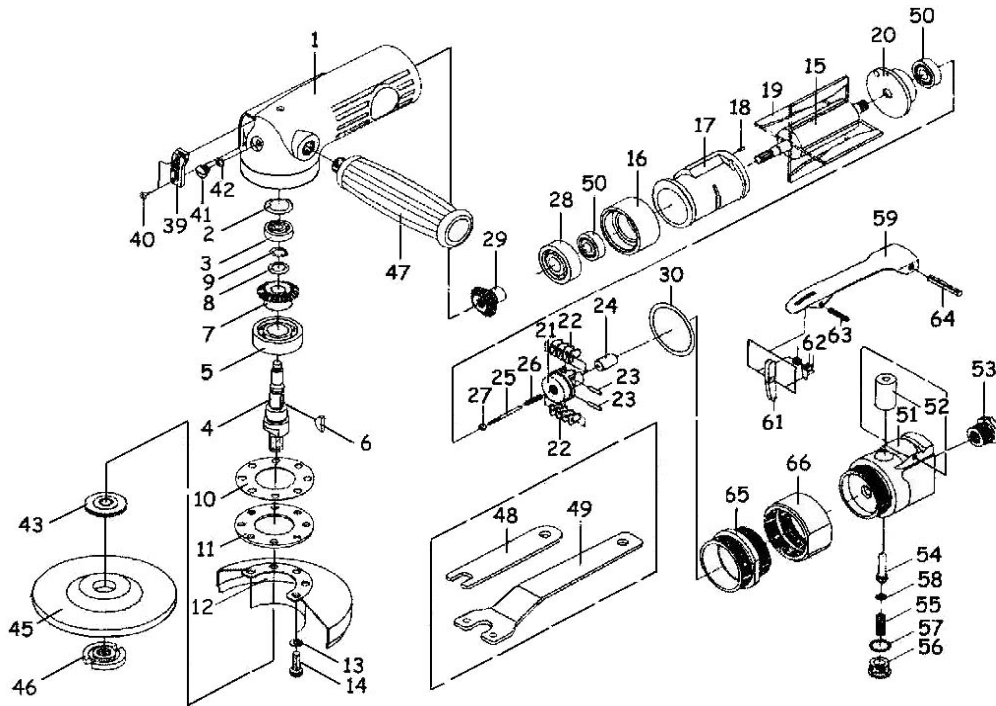


Angle Grinder - Winkelschleifer - Haakse Slijpers - Meuleuses d' Angle - 115 / 125 mm



ITEM NO.	REF. NO.	DESCRIPTION
1	BI0001	MOTOR HOUSING
2	BI0002	SEAL PLATE
3	BI0003	BALL BEARING
4	BI0004	ARBOR
5	BI0005	BALL BEARING
6	BI0006	WOODRUFF KEY
7	BI0007	BEVEL GEAR
8	BI0008	WAVE WASHER
9	BI0009	EXTERNAL STOP RING
10	BI0010	GASKET
11	BI0011	RETAINER
12	BI0012	CENTER WHEEL GUARD
13	BI0013	SPRING WASHER (5)
14	BI0014	HEX SOCKET HEAD CAP BOLT (5)
15	BI0015	ROTOR
16	BI0016	FRONT END PLATE
17	BI0017	CYLINDER
18	BI0018	SPRING PIN
19	BI0019	ROTOR BLADE (4)
20	BI0020	REAR END PLATE
21	BI0021	GOVERNOR
22	BI0022	PENDULUM (8)
23	BI0023	SPRING PIN (2)
24	BI0024	PLUNGER
25	BI0025	ADJUST SCREW
26	BI0026	SPRING
27	BI0027	ADJUST NUT
28	BI0028	BALL BEARING
29	BI0029	BEVEL PINION

ITEM NO.	REF. NO.	DESCRIPTION
30	BI0030	O-RING
39	BI0031	EXHAUST DEFLECTOR
40	BI0032	TAPPING SCREW (2)
41	BI0033	PLUG
42	BI0034	O-RING
43	BI0035	FLANGE
46	BI0037	FLANGE NUT
47	BI0038	HANDLE
48	BI0039	WRENCH (A)
49	BI0040	WRENCH (B)
50	BI0041	BALL BEARING (2)
51	BI0042	THROTTLE VALVE HOUSING
52	BI0043	BUSHING
53	BI0044	AIR INLET BUSHING
54	BI0045	VALVE STEM
55	BI0046	VALVE SPRING
56	BI0047	THROTTLE HOUSING
57	BI0048	O-RING
58	BI0049	O-RING
59	BI0050	THROTTLE LEVER
61	BI0051	THROTTLE LEVER LOCK
62	BI0052	TORSION SPRING
63	BI0053	SPRING PIN
64	BI0054	SPRING PIN
65	BI0055	LOCK RING
66	BI0056	COUPLING NUT
OPTIONAL ACCESSORY		
45	BI0036	GRINDING WHEEL