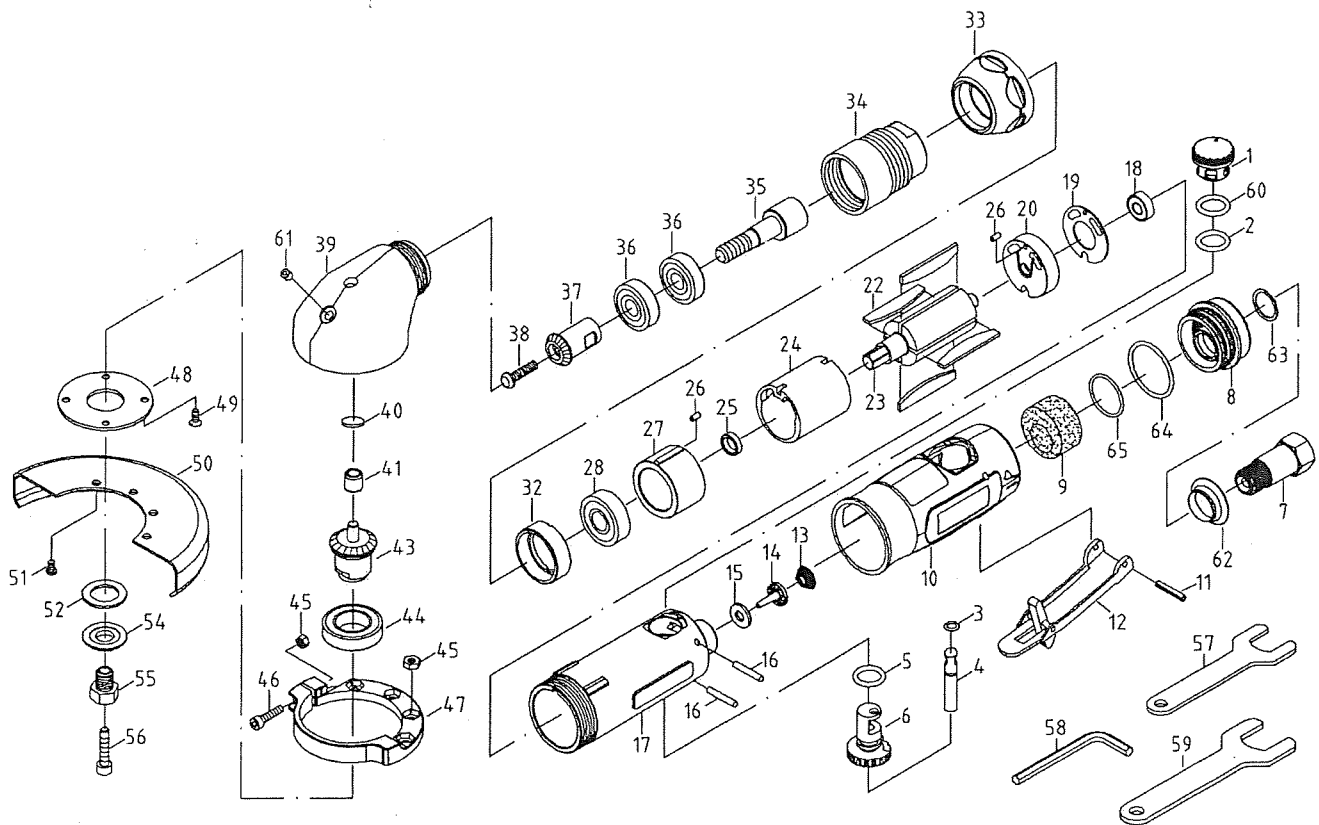


4" REVERSIBLE ANGLE CUTTER OFF / GRINDER TOOL



ITEM NO.	REF. NO.	DESCRIPTION
1	AX0001	REGULATOR
2	AX0002	O-RING (AS015)
3	AX0003	O-RING (3.5*1.4)
4	AX0004	VAVLE STEM
5	AX0005	O-RING (P10)
6	AX0006	REGULATOR
7	AX0007	AIR INLET
8	AX0008	EXHAUST SLEEVE
9	AX0009	SILENCER
10	AX0010	PROTECTING RUBBER
11	AX0011	PIN
12	AX0012	LEVER
13	AX0013	SPRING
14	AX0014	VALVE
15	AX0015	WASHER (6*13.8*1.6T)
16	AX0016	PIN (2.8*25.8L) (2)
17	AX0017	HOUSING
18	AX0018	BEARING (626)
19	AX0019	WASHER (17*33.2*0.8T)
20	AX0020	REAR PLATE
22	AX0022	ROTOR BLADE (4)
23	AX0023	ROTOR
24	AX0024	CYLINDER
25	AX0025	BEARING SPACER
26	AX0026	PIN (2.5*6L) (2)
27	AX0027	FRONT PLATE
28	AX0028	BEARING (6000ZZ)
32	AX0032	NUT
33	AX0033	CLAMP NUT
34	AX0034	SPINDLE HOUSING

ITEM NO.	REF. NO.	DESCRIPTION
35	AX0035	SPINDLE
36	AX0036	BEARING (609) (2)
37	AX0037	PINION GEAR(14T)
38	AX0038	SCREW (M4*20)
39	AX0039	ANGLE HOUSING
40	AX0040	WASHER
41	AX0041	BEARING (HKU609)
43	AX0043	PINION GEAR(21T)
44	AX0044	BEARING (6904)
45	AX0045	NUT (5)
46	AX0046	SCREW (M4*16)
47	AX0047	HANDLE LINK
48	AX0048	FACE PLATE
49	AX0049	SCREW(M4*10) (4)
50	AX0050	DISC COVER
51	AX0051	SCREW (M4*6) (4)
52	AX0052	NUT
54	AX0054	WASHER
55	AX0055	NUT
56	AX0056	SCREW
57	AX0057	STOP SPANNER (14mm)
58	AX0058	HEX (4mm)
59	AX0059	STOP SPANNER (17mm)
60	AX0060	O-RING (P14)
61	AX0061	OIL CUP
62	AX0062	MUFFLER BODY
63	AX0063	WSAHER
64	AX0064	O-RING (AS125)
65	AX0065	O-RING (S30)