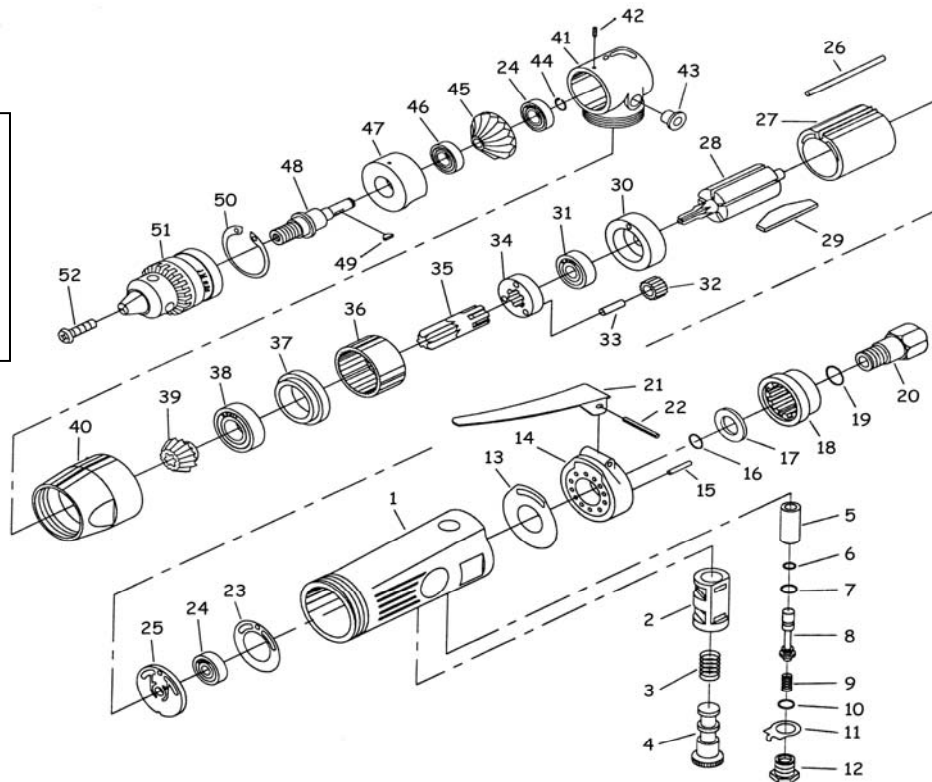


Angle Drill reversible - Winkel Bohrmaschine l/r umsteuerbar - Boormachine (Haakse)
 l/r draaiend - Perceuse (d' Angle) - 10 mm - 1.400 rpm



| ITEM NO. | DESCRIPTION |
|----------|-------------------------|
| 1 | MOTOR HOUSING |
| 2 | REVERSE BUSHING |
| 3 | REVERSE SPRING |
| 4 | REVERSE VALVE |
| 5 | VALVE BUSHING |
| 6 | THROTTLE VALVE |
| 7 | O-RING |
| 8 | O-RING |
| 9 | VALVE SPRING |
| 10 | O-RING |
| 11 | REVERSE RETAINER |
| 12 | VALVE SCREW |
| 13 | HOUSING GASKET |
| 14 | HOUSING CAP |
| 15 | SPRING PIN(2) |
| 16 | O-RING |
| 17 | HOUSING CAP STOP WASHER |
| 18 | DEFLECTOR |
| 19 | O-RING |
| 20 | INLET BUSHING |
| 21 | THROTTLE LEVER |
| 22 | SPRING PIN (2) |
| 23 | MOTOR GASKET |
| 24 | BALL BEARING (2) |
| 25 | REAR END PLATE |
| 26 | MOTOR PIN |
| 27 | CYLINDER |

| ITEM NO. | DESCRIPTION |
|----------|--------------------|
| 28 | ROTOR |
| 29 | ROTOR BLADE (5) |
| 30 | FRONT END PLATE |
| 31 | BALL BEARING |
| 32 | PLANET GEAR (3) |
| 33 | PLANET PIN (3) |
| 34 | CAGE |
| 35 | GEAR SPINDLE |
| 36 | INTERNAL GEAR |
| 37 | SPACER |
| 38 | BALL BEARING |
| 39 | PINION |
| 40 | HOUSING LOCK RING |
| 41 | ANGLE HOUSING |
| 42 | SET SCREW |
| 43 | OIL PLUG |
| 44 | RETAINER RING |
| 45 | SPINDLE GEAR |
| 46 | BALL BEARING |
| 47 | BEARING CASE |
| 48 | SPINDLE GEAR |
| 49 | WOODRULF KEY |
| 50 | RETAINER RING |
| 51 | 3/8" DRILL CHUCK |
| 52 | CHUCK SCREW |
| | SK4 SPANNER WRENCH |